

Longer Life Than What
You Used Before



Rubber and Polyurethane
Valves Catalogue



**VerSpec
Valve**

www.verspec.com



**VerSpec
Valve**

COMPANY PROFILE

Factory Established in 2004

Employee: 55

Production Area: 12000M²

Location: Wenzhou City, Zhejiang Province, China

ISO CE APPROVED



VerSpec Mission

We Make Severe Service Flow Control Easy.

VerSpec Core Values

- 1-Customer First
- 2-Sincerity, Honesty and Open
- 3-Communicate, Communicate, One More time
- 4-Make Work Passion and Fun
- 5-Put people before profits
- 6-Continuous Innovation, Continuous Improvement

VerSpec Vision

Dedicated To Be the Best Valve Service Provider In The World.

Our Brands:

VerSpec®

Ladish®

Moyan®

Vinatex™

SupWeaPro™



Compound Red Rubber



Sleeve Rubber Wrapping



Sleeve Rubber Moulding



QUALITY CONTROL IS VERSPEC'S TOP PRIORITY



Final Dimension Inspection



Big Size Valve Body Welding



Pressure Test



Valve Wall Thickness Test



Painting Thickness Test



Pinch Valve Assembly



Metallographic Analysis



Vickers Hardness Test

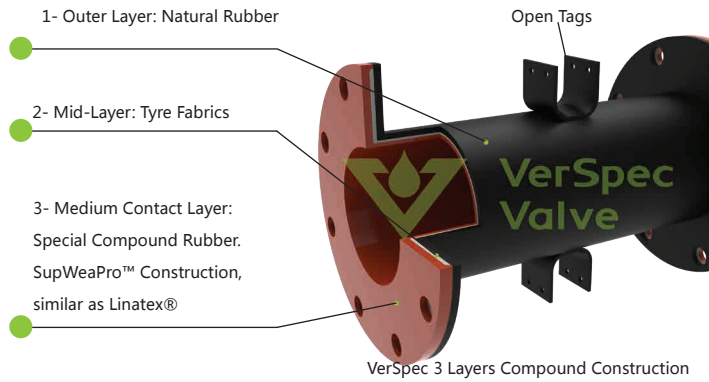


Pressure Test



Rockwell Hardness Test

VerSpec Rubber Sleeve Features



- 1- Natural rubber outer layer keeps sleeve protected under environmental erosion.
- 2- Tyre Fabrics mid-layer keeps whole sleeve more stronger using even under high pressure process.
- 3- SuWePro® medium contact layer keeps sleeve in super wear proof performance, extend its life 3 times more than common material rubber sleeve.
- 4- 20mm superior thick rubber sleeve to optimise wear life.
- 5- Integral elastomer molded flange
- 6- Bi-directional Drop-tight shutoff
- 7- Self-cleaning by full flow bore design.
- 8- Excellent throttling performance when automatic actuated.
- 9- Easy replacement.



RUBBER MATERIALS

PERFORMANCE INTRODUCTION

Rubber Code	Full Name	Temperature Range	Application	Chemical Resistance					
				Acids	Alkali	Aromatic Oils	Aliphatic Oils	Solvents	Water
NR	Natural Rubber	-40°C~75°C	Heavy Abrasive Materials, Diluted acid, alkali and chemicals	Good	Good	Not	Not	Not	Excellent
EPDM	Ethylene Propylene	-40°C~120°C	Concentrated and Oxidizing chemicals	Very Good	Very Good	Not	Not	Good	Excellent
SBR	Styrene Butadiene	-40°C~110°C	Heavy Abrasive Materials, Diluted acid, alkali and chemicals	Good	Good	Not	Not	Not	Excellent
NBR	Nitrile Rubber	-30°C~100°C	Oils, Fuels, Hydrocarbon and Lubricants	Good	Common	Good	Very Good	Not	Excellent
FSR	Fluoro-silicon Rubber	-30°C~160°C	High Temperature Abrasive Materials	Very Good	Very Good	Common	Good	Not	Excellent



Design Features

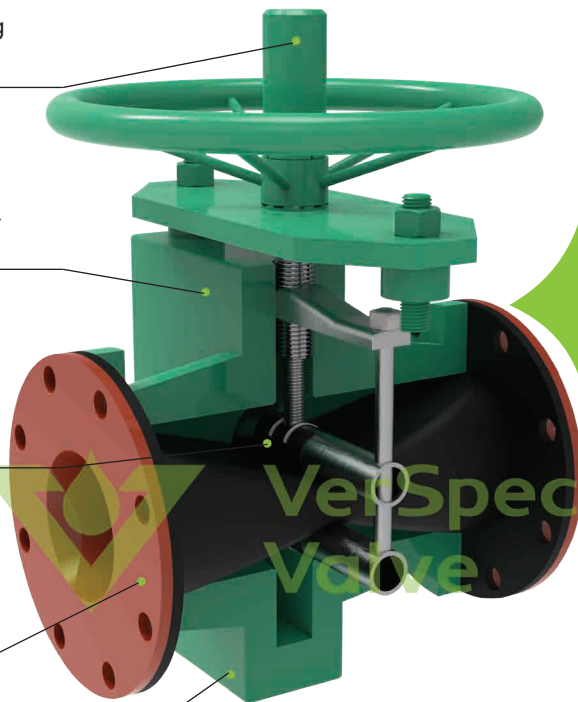
Dust-proof cover design protect rising stem in good working condition

Up body is available in "Open Frame" Type Construction for application with Low pressure/Low Temperature/Non-Hazardous medium

Opening tags are available which attach the sleeve to the pinch bars. these are used in gravity or low pressure applications when the valve is shut for extended periods

Rubber sleeve with flange holes design keep sleeve be fixed together with counter flanges. it makes sleeve life longer.

Two split bodies design for easy dismantling to change new sleeves.



Where Need VerSpec Pinch Valve Series

1- Chemical Plant



2- Water Treatment



3- Mining Plant



4- Steel Smelt

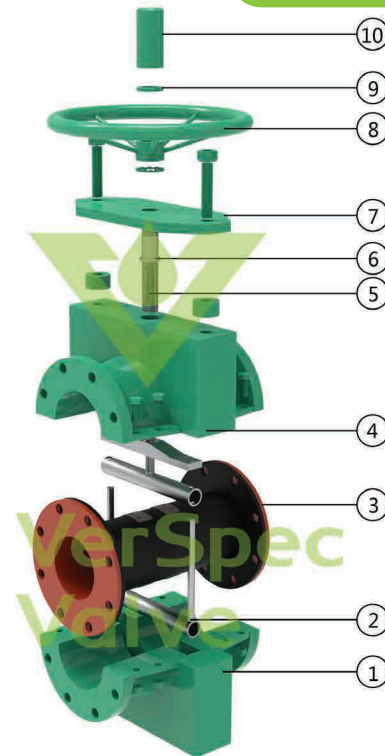




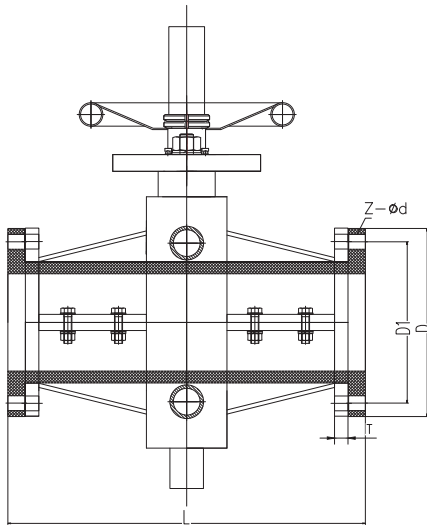
Available Material List

Part No.	Part name	Part Material
1	Down Body	Cast Iron or Carbon Steel
2	Pinch Bar	Cast Iron or Stainless Steel
3	Rubber Sleeve	Various Rubber Choice
4	Up Body	Cast Iron or Carbon Steel
5	Stem	2Cr13 or Stainless Steel
6	Stem Nut	SS or Copper
7	Attachment Pad	Carbon Steel or Stainless Steel
8	Hand Wheel	Carbon Steel
9	Locking Nut	Carbon Steel or Stainless Steel
10	Dust-proof Cover	Carbon Steel

Sleeve Pinch Valves
Fig Number: VPIV



Enclosed Body Rubber Sleeve Pinch Valves



Specification:

Design Standard: VerSpec factory standard

Face to face dimension: VerSpec standard or customize

End Flange: ASME B16.5, GB/T 9113-2010 or DIN 2501

Inspection and Test: VI Class (Zero Leakage)

- Worm gear or Pneumatic or Electrical or Hydraulic actuator operating
- Cast Iron or Welded CS Body according to customer' s choice
- Open frame body type also is available.

Dimensions for PN16-PN10 or Class 150

Unit: mm

Size		Face to face (L)		D	D1	T	Z-φd
Normal Diameter	NPS (inch)	Cast Iron Body	Welded Carbon Steel Body	ASME B16.5 150# Standard (≤24") ASME B16.47 B Series 150# Standard (≥26")			
				DN40	1-1/2"	195	195
DN50	2"	195	195	150	120.7	19	4-3/4
DN65	2-1/2"	230	230	180	139.7	22	4-3/4
DN80	3"	280	280	190	152.4	24	4-3/4
DN100	4"	360	360	230	190.5	24	8-3/4
DN125	5"	445	445	255	215.9	24	8-7/8
DN150	6"	500	500	280	241.3	25.4	8-7/8
DN200	8"	560	560	345	298.5	28.6	8-7/8
DN250	10"	/	630	405	362	30.2	12-1
DN300	12"	/	730	485	431.8	31.8	12-1
DN350	14"	/	890	535	476.3	35	12-1-1/8
DN400	16"	/	1090	595	539.8	36.6	16-1-1/8
DN450	18"	/	1115	635	577.9	39.7	16-1-1/4
DN500	20"	/	1245	700	635	42.9	20-1-1/4
DN600	24"	/	1590	815	749.3	47.7	20-1-3/8
DN700	28"	/	2000	837	795	44	40-22
DN800	32"	/	2200	941	900	46	48-22
DN1000	40"	/	2760	1175	1121	55.6	44-28
DN1200	48"	/	3360	1392	1335	65	44-32

Please contact VerSpec representative to get another standard flange drilling dimension

Size higher than DN1200, please contact VerSpec representative to get detail connect dimension.

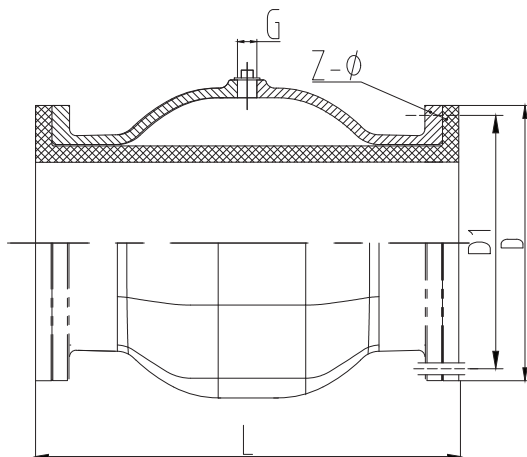


VerSpec Hand Wheel NR Rubber Sleeve Pinch Valve
for One of Hazakhstan Mine Plants





Air Operated Rubber Sleeve Pinch Valves



Specification:

Design Standard: VerSpec factory standard

Face to face dimension: VerSpec standard or customize

End Flange: ASME B16.5, GB/T 9113-2010 or DIN 2501

Inspection and Test: VI Class (Zero Leakage)

•Cast Iron or Welded CS Body according to customer' s choice

•Triangle sleeve type also is available.

Dimensions for PN16-PN10 or Class 150

Unit: mm

Size	L	D	D1	g	Z-d
50	195	160	125	1/4	4-18
65	230	180	145	1/4	4-18
80	280	195	160	1/4	8-18
100	360	215	180	1/4	8-18
125	445	245	210	1/4	8-18
150	500	280	240	1/4	8-22
200	560	335	265	3/8	8-22
250	630	390	350	1/2	12-22
300	730	445	400	1/2	12-22

Please contact VerSpec representative to get another standard flange drilling dimension

Size higher than DN1200, please contact VerSpec representative to get detail connect dimension.



VerSpec Pinch Valve
Longer Life Than You Used Before



Design Features

VerSpec 2nd Generation PU knife gate valve using stronger yoke keeps valve more stable while operated by actuator

Full of Polyurethane(PU) liner keeps medium not contact body, this design makes valve in higher and longer wear-resistant performance

Unique "Knife Arc " design of gate not only can reduce valve opening torque but also has scraping function

Unique "Self-cleaning " design of liner construction makes knife gate not be blocked while in opening and closing.



Where Need VerSpec PU Knife Gate Valve Series

1- Chemical Plant



2- Water Treatment



3- Mining Plant



4- Steel Smelt



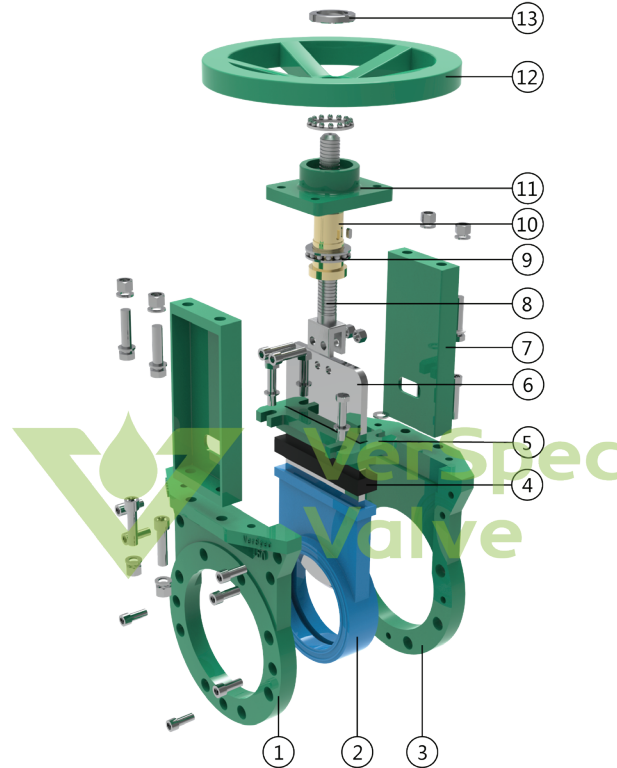
Polyurethane(PU) Liner



PU Knife Gate Valves
Fig Number: PUKG

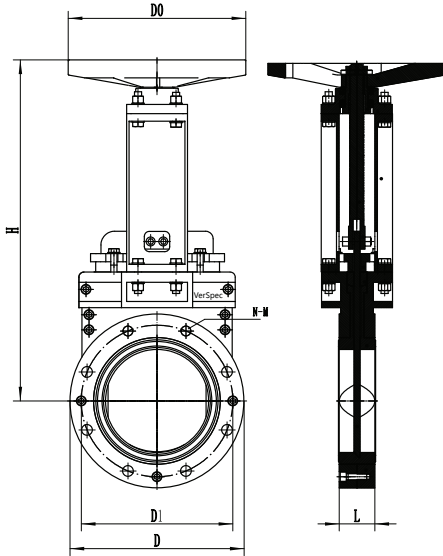
Available Material List

Part No.	Part name	Part Material
1	Left Body	GGG 40
2	Liner	Polyurethane (PU)
3	Right Body	GGG 40
4	Packing	NPR, EPDM
5	Packing gland	WCB
6	Knife Gate	SS410, SS304, SS316, 17-4Ph. Duplex SS 2205/2507
7	Yoke	Q235 CS Plate
8	Stem	2Cr13, SS304, SS316
9	Bearing	GCr15
10	Stem Nut	Copper
11	Bearing Seat	WCB
12	Hand Wheel	Q235, GGG50
13	Locking Nut	35K+Zn





Full Polyurethane(PU) Liner
Knife Gate Valve


Specification:

Design Standard: VerSpec factory standard

Face to face dimension: VerSpec standard or customize

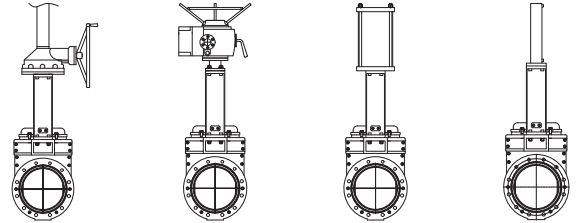
End Flange: MSS-SP-81

Inspection and Test: VI Class (Zero Leakage)

•Worm gear or Pneumatic or Electrical or Hydraulic actuator operating

Multi-choice of actuator type:

- 1- Worm Gear
- 2- Electrical Actuator
- 3- Pneumatic Actuator
- 4- Hydraulic Actuator



Dimensions for PN10

Unit: mm

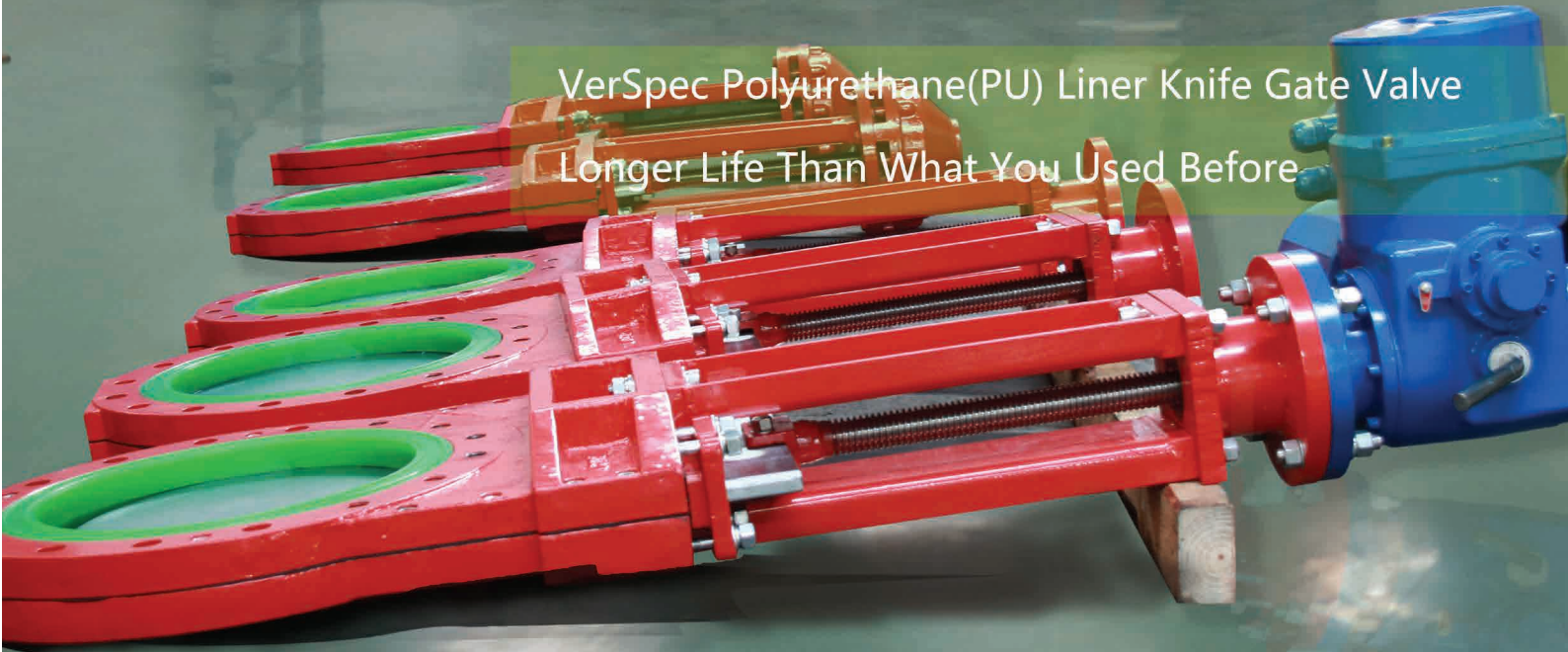
DN	NPS	D	D1	N-M	L	H	D0
50	2"	165	125	4-M16	48	367	280
65	2-1/2"	185	145	4-M16	48	395	280
80	3"	200	160	8-M16	51	412	300
100	4"	229	180	8-M16	51	450	300
125	5"	254	210	8-M16	57	510	300
150	6"	279	240	8-M20	57	550	350
200	8"	343	295	12-M20	70	640	350
250	10"	406	355	12-M24	70	790	Bigger Size Operated By Actuator
300	12"	483	410	12-M24	76	890	
350	14"	520	470	16-M24	76	990	
400	16"	580	525	16-M27	89	1090	
450	18"	640	585	20-M27	89	1200	
500	20"	699	650	20-M30	114	1320	
600	24"	840	770	20-M33	114	1450	

Please contact VerSpec representative to get another standard flange drilling dimension

Dimension "H ", "D0" only for your information



VerSpec Polyurethane(PU) Liner Knife Gate Valve
Longer Life Than What You Used Before





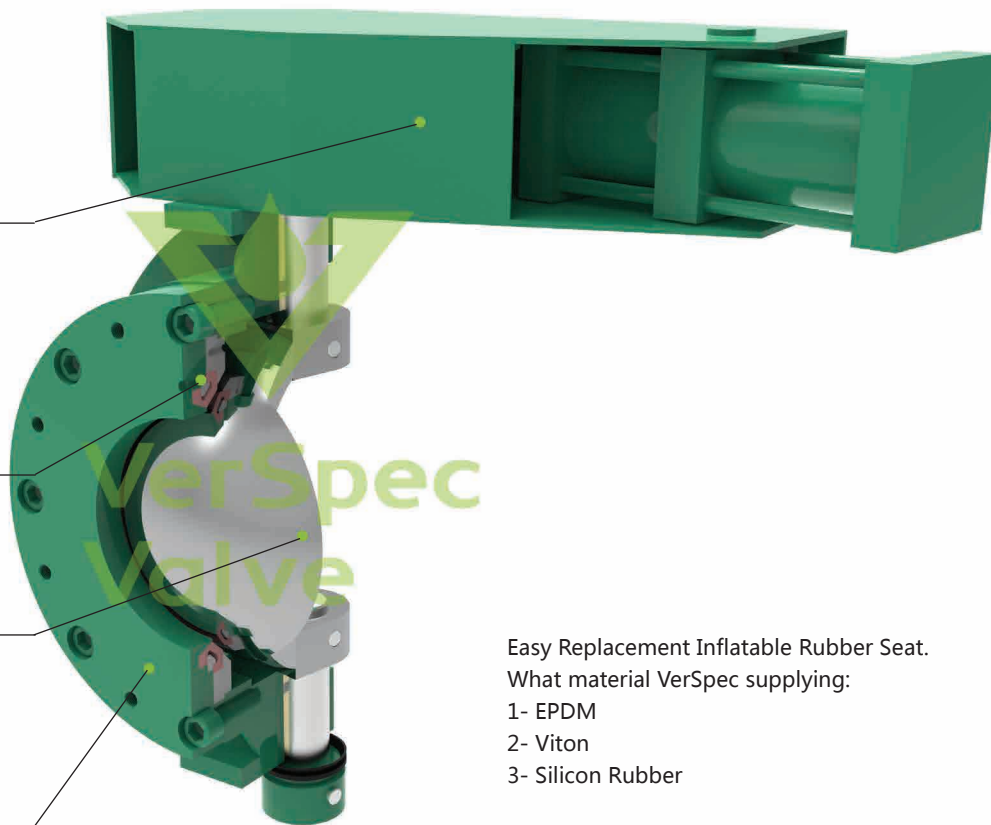
Design Features

Different Pneumatic Actuator Types for customer choice. "Fanshaped Model ", "AT Model " or "Swing Model "

Air in make rubber seat inflat to contact ball when valve in full close postion, air fail make rubber seat shrink to uncontact ball while valve in opening. this longer life design will have no friction between ball and seat when sealing optional.

Different ball surface heat treatments to suit different application, such as "Chroming, Tungsten Carbide "

Valve body can be extended in any length to meet end user' s special requirements



Easy Replacement Inflatable Rubber Seat.

What material VerSpec supplying:

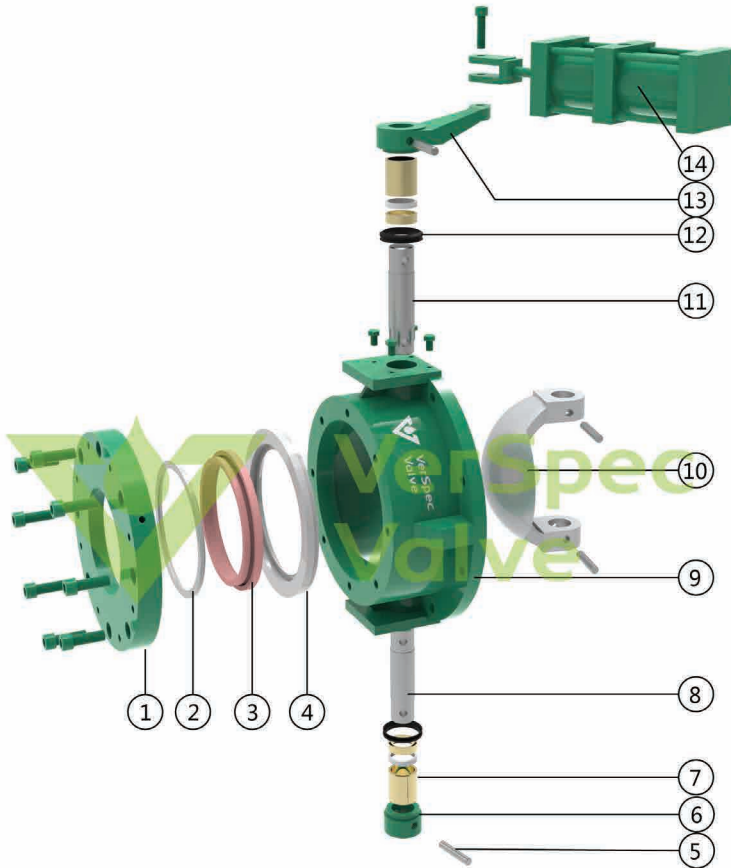
1- EPDM

2- Viton

3- Silicon Rubber



Dome Valves
Fig Number: VDMV



Available Material List

Part No.	Part name	Part Material
1	Bonnet	WCB, CF8, CF8M
2	Seat Support	ASTM A1025, SS304
3	Seat	EPDM, Viton, Silicon Rubber
4	Retainer	ASTM A1025, SS304
5	Bottom Pin	
6	Bottom Cover	WCB, CF8, CF8M
7	Bushing	Copper
8	Down Stem	2Cr13, SS304
9	Body	WCB, CF8, CF8M
10	Ball	WCB+Chroming, WCB+Tungsten Carbide
11	Up Stem	2Cr13, SS304
12	O Ring	Viton
13	Swing Rod	WCB
14	Pneumatic Actuator	DA Type Components



Inflatable Rubber Seat Dome Valves for Solids Conveying

Specification:

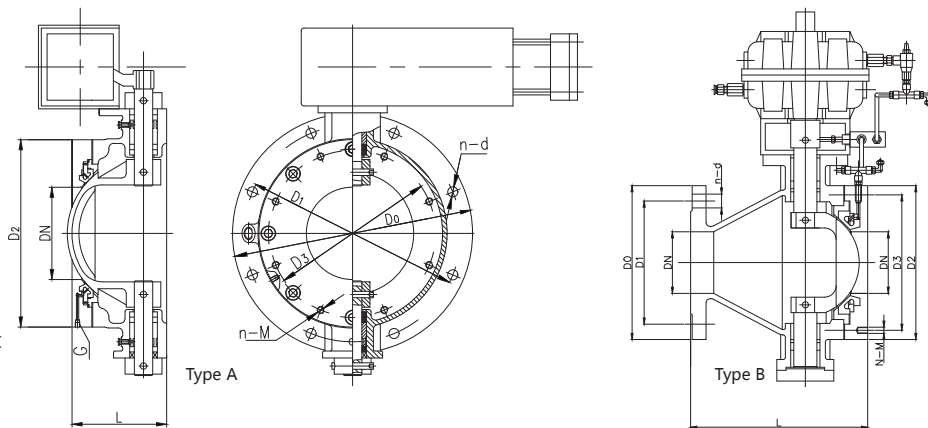
Design Standard: VerSpec factory standard

Face to face dimension: VerSpec standard or customize

End Flange: GB/T9113-2010 or ASME B16.5

Inspection and Test: VI Class (Zero Leakage)

•Max Temperature of EPDM Seat: $\leq 110^{\circ}\text{C}$, Viton Seat: $\leq 200^{\circ}\text{C}$



Dimensions for PN10

Unit: mm

Size	F2F Length		D0	D1	D2	D3	G	n-M	n-d
	Type A	Type B							
50	/	200	160	125	160	125	1/8	4-M16	4-18
80	/	220	195	160	195	160		4-M16	4-18
100	130	350	335	295	240	200		4-M12	6-18
125	140	450	365	325	280	240		6-M12	6-22
150	160	450	440	390	320	280		6-M12	6-22
200	205	485	520	470	406	360		8-M16	8-22
250	240	565	580	525	460	420		12-M20	12-27
300	280	480	700	630	530	470		12-M20	12-27

Because of dome valve is one of special flow control equipments, all above dimension is for your information only, please re-confirm dimensions before you place order.



VerSpec Dome Valves
Longer Life Than What You Used Before





Design Features

When knife gate in full opening position, Whole gate will be lifted up from flow bore and not contact with medium

Different rubber for seat using for different medium, and high abrasive-resistant performance makes valve use for highly abrasive duties

Standard SS 316 material gate, VerSpec also produce Duplex SS and special alloy for corrosive medium

Unique "cleaning Out " design in the bottom of valve let remaining medium drain out of the valve easily.



Where Need VerSpec Rubber Seat Knife Gate Valve Series

1- Chemical Plant



2- Water Treatment



3- Mining Plant

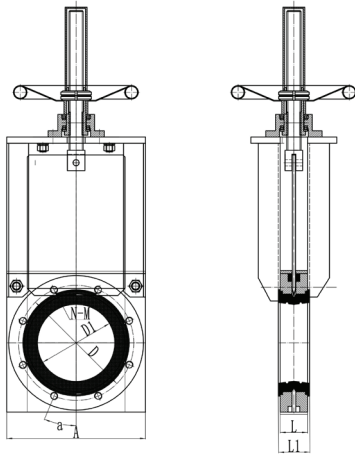


4- Steel Smelt





Rubber Knife Gate Valves
Fig Number: KGDV



Dimensions for PN10

Unit: mm

Size	A	H	D	D1	L1	L	N-M
50	185	465	125	47	68	60	4-M16
80	220	520	160	77	68	60	8-M16
100	235	585	180	97	68	60	8-M16
125	270	656	210	122	72	64	8-M20
150	295	715	240	147	72	64	8-M20
200	350	848	295	197	80	70	8-M20
250	405	978	350	248	80	70	12-M20
300	455	1100	400	297	90	80	12-M20
350	515	1240	460	347	98	88	16-M20
400	585	1380	515	396	110	100	16-M24
450	635	1500	565	446	110	100	20-M24
500	710	1620	620	496	110	100	20-M24
600	800	2000	725	596	130	120	20-M27
800	1060	2500	950	794	130	140	24-M30

Specification:

Design Standard: VerSpec factory standard

Face to face dimension: VerSpec standard or customize

End Flange: MSS-SP-81

Inspection and Test: VI Class (Zero Leakage)

•Worm gear or Pneumatic or Electrical or Hydraulic actuator operating

Please contact VerSpec representative to get another standard flange drilling dimension

Dimension "H ", "D0" only for your information



VerSpec
Valve

VerSpec KGDV Rubber Seat Knife Gate Valves
For Heavy Duty Slurry Application







**VerSpec
Valve**

Company Name: VerSpec Valve Moyan Co.,Ltd.

Address: Anfeng Industrial Zone, Oubei Town,
Yongjia County, Wenzhou City,
Zhejiang, China. Post Code: 325105

Tel : +86-577-57666870

Fax: +86-577-57679885

E-mail: info@verspec.com



Longer Life Than You
Used Before

www.verspec.com

Follow us by searching "VerSpec " on below social media

